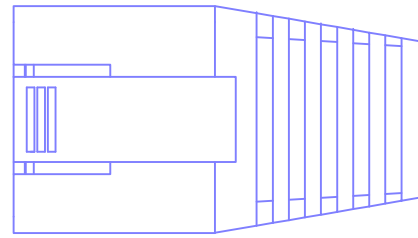
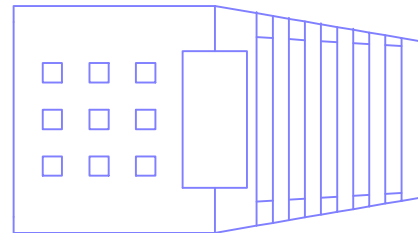
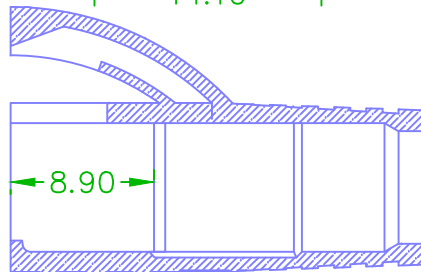
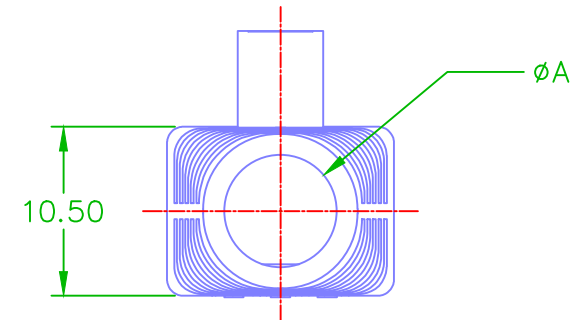
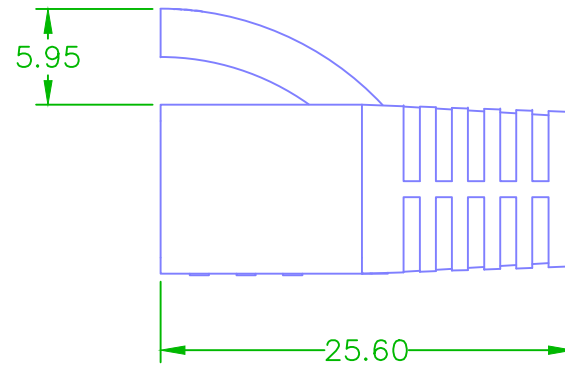
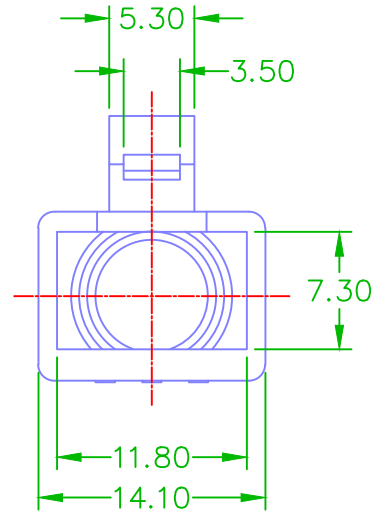


PMC Drawing Number:SR-014-2-□□□□□□

1. Material: 55P PVC, UL94V-2, DEHP, DINP is less than 0.1%.
2. Color Available: RD=Red, OR=Orange, YL=Yellow, GN=Green, BL=Blue, PU=Purple, BK=Black, GY=Gray, WH=White, CR=Clear
3. Inner Diameter Available : 7.0mm=70, 7.5mm=75, 8.0mm=80
4. Packaging Quantity: \textcircled{S} =1000pcs, \textcircled{T} =500pcs, \textcircled{U} =250pcs, \textcircled{V} = 200pcs, \textcircled{W} =100pcs, \textcircled{X} = 50pcs, \textcircled{Y} = 25pcs, \textcircled{Z} = 10pcs



SR-014-□□□□□□
 □□□□□□—Packaging Quantity(S, T, U, V, W, X, Y, Z)
 □□□□□□—Inner Diameter:(70, 75, 80)
 □□□□□□—Color (RD, OR, YL, GN, BL, PU, BK, GY, WH, CR)



NOTE TOL:±0.15

B	2021.03.12. Rescheduling coding	3RD		Drawing	Jay	Date	2021/03/12	Part.NO	SR-014-2
A	An initial version	Unit	m/m	Checked	Chris	Date	2021/03/12	Description	
Rev	Description	Scale	1:1	Approved	Jason	Date	2021/03/12	Plug Boot	



Plug Master
 INDUSTRIAL CO., LTD
 www.plugmaster.com.tw