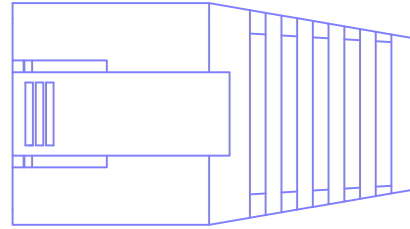
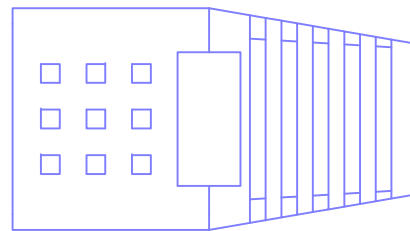
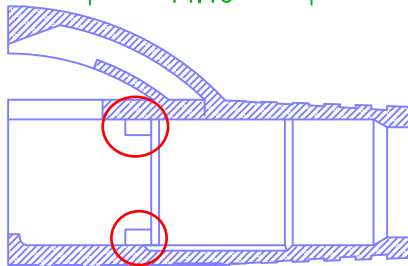
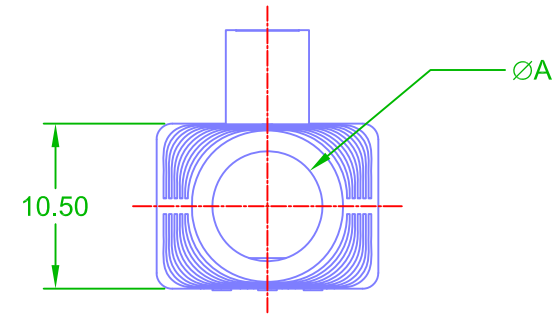
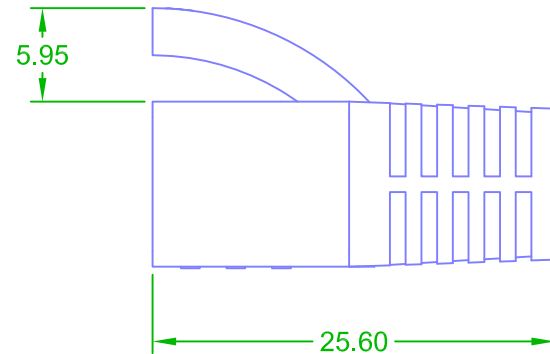
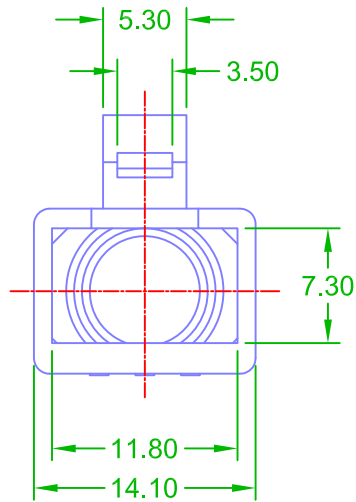


PMC Drawing Number:SR-014-□□□□□


1. Material: 55P PVC, UL94V-2, DEHP, DINP is less than 0.1%.
2. Color Available: RD=Red, OR=Orange, YL=Yellow, GN=Green, BL=Blue, PU=Purple, BK=Black, GY=Gray, WH=White, CR=Clear
3. Inner Diameter Available : 7.0mm=70, 7.5mm=75, 8.0mm=80
4. Packaging Quantity: ⊕=1000pcs, ⊕=500pcs, ⊕=250pcs, ⊕= 200pcs, ⊕=100pcs, ⊕= 50pcs, ⊕= 25pcs, ⊕= 10pcs



SR-014-□□□□□
 Packaging Quantity(S, T, U, V, W, X, Y, Z)
 Inner Diameter:(70, 75, 80)
 Color (RD, OR, YL, GN, BL, PU, BK, GY, WH, CR)



NOTE TOL:±0.15

B	2017.07.26. Rescheduling coding	3RD	⊕	Drawing	<i>Chidy</i>	Date	2016/02/17	Part.NO	SR-014	 Plug Master INDUSTRIAL CO., LTD www.plugmaster.com.tw
A	An initial version	Unit	m/m	Checked	<i>Chris</i>	Date	2016/02/17	Description		
Rev	Description	Scale	1:1	Approved	<i>Jason</i>	Date	2016/02/17	Plug Boot		