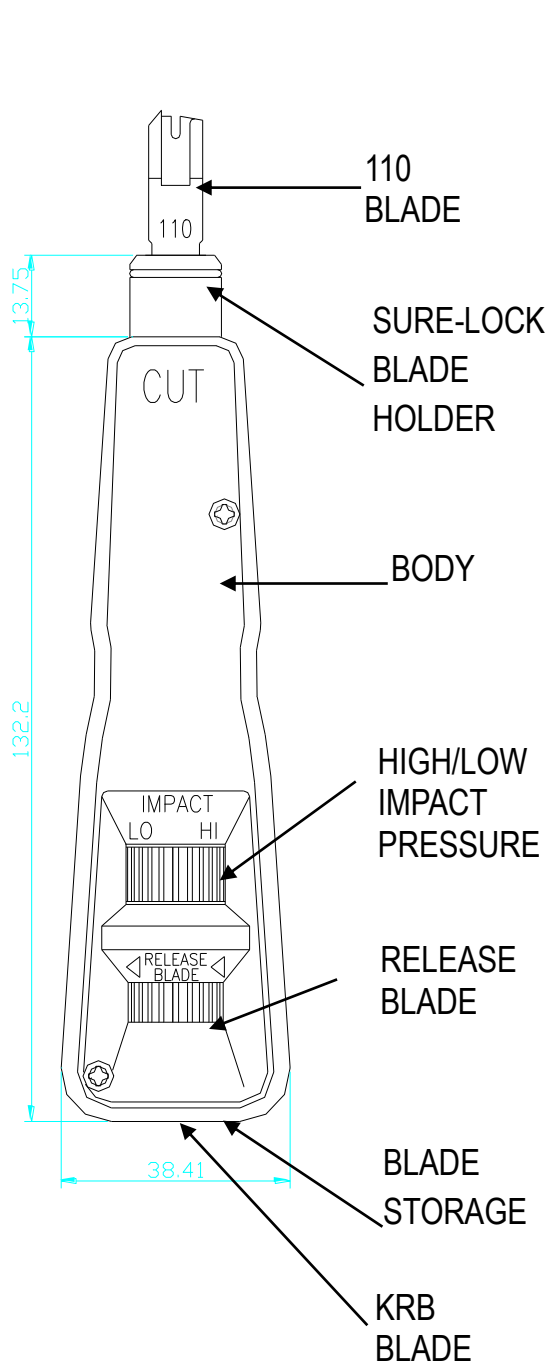
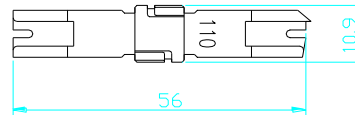




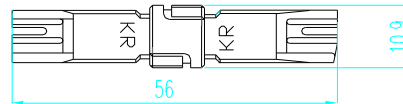
## PM-110+KRB IMPACT AND PUNCH DOWN TOOL



PM-110B



PM-KRB



### Specification:

**\*Item No:**

PM-110 (FOR USE ON 110/88 TYPE)

**\*Function:**

FOR SEATING WIRE INTO TERMINAL BLOCKS OR CUT OFF WIRE END AFTER TERMINATED.

**\* Length:** 6.7" (171+/-3mm)

**\* Weight:** 140g

**\* Material:**

**Body:** ABS RESIN

**Blade:** CARBON STEEL

**\* Hardness:**

**Blade:** HRC 45-50

**\* Finished:**

**Blade:** Black oxide finished.